

ORU Housing



 Series

AFL HYPERSCALE.



U-Series ORU Housing

Before installing or adjusting this product, please read these instructions carefully. Please keep this guide for future reference.

Safety Precautions



General Precautions

Personnel must be thoroughly familiarized with all applicable Occupational Health and Safety (OH&S) regulations, local regulations, and your company safety practices and policies.

Warning: To reduce the chance of accidental injury:

Before work begins, all personnel must be thoroughly familiar with the operation of all equipment and procedures to be used during the installation.

Before use, all equipment, especially safety gear, must be inspected and tested for proper operation. Replace and repair as necessary.



Laser Precautions

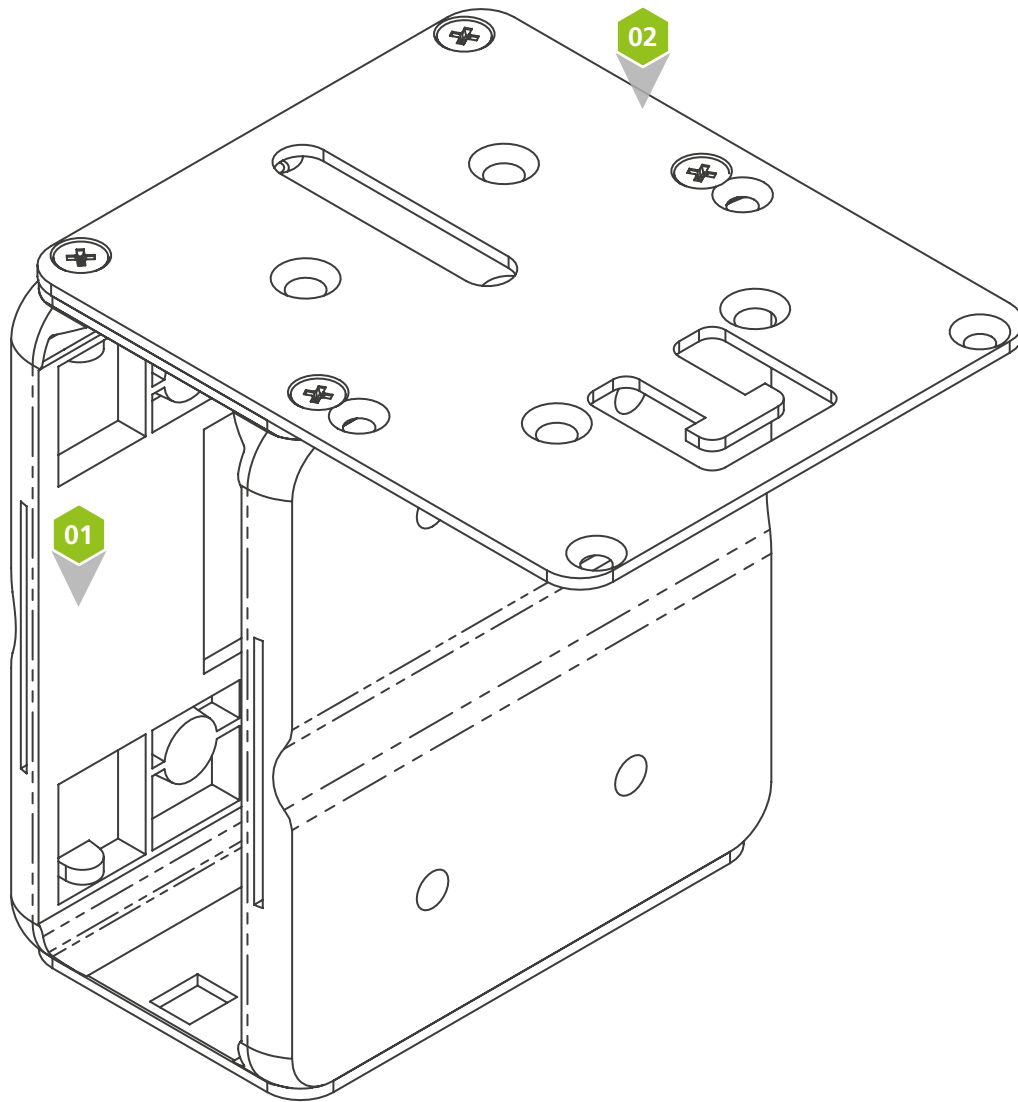
Warning: The laser light used to transmit information over optical fiber cables can cause severe eye damage. Because this light is invisible, it will not cause the iris of the eye to contract involuntarily as when viewing a bright visible light, and no pain is felt as the retina is burned.

Never look into the end of a fiber or connector which may have a laser coupled to it. Should accidental eye exposure to laser light be suspected, arrange for an eye examination immediately.

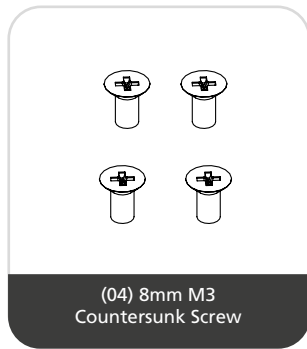
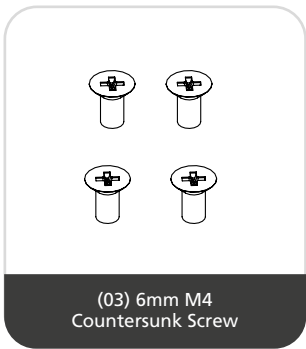
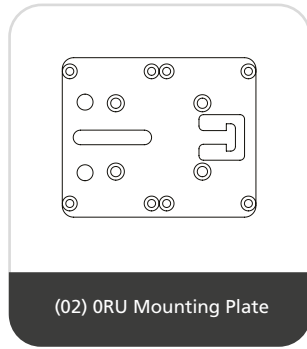
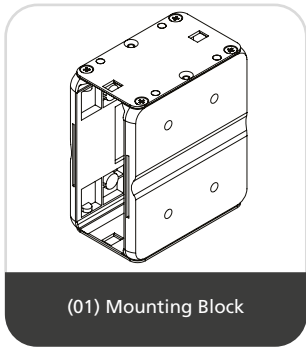
Component Overview

01 Mounting Block

02 ORU Mounting Plate



In the Box



Item Number	Item	Qty
01	Mounting Block	1
02	0RU Mounting Plate	1
03	6mm M4 Countersunk Screw	4
04	8mm M3 Countersunk Screw	4

What You Will Need

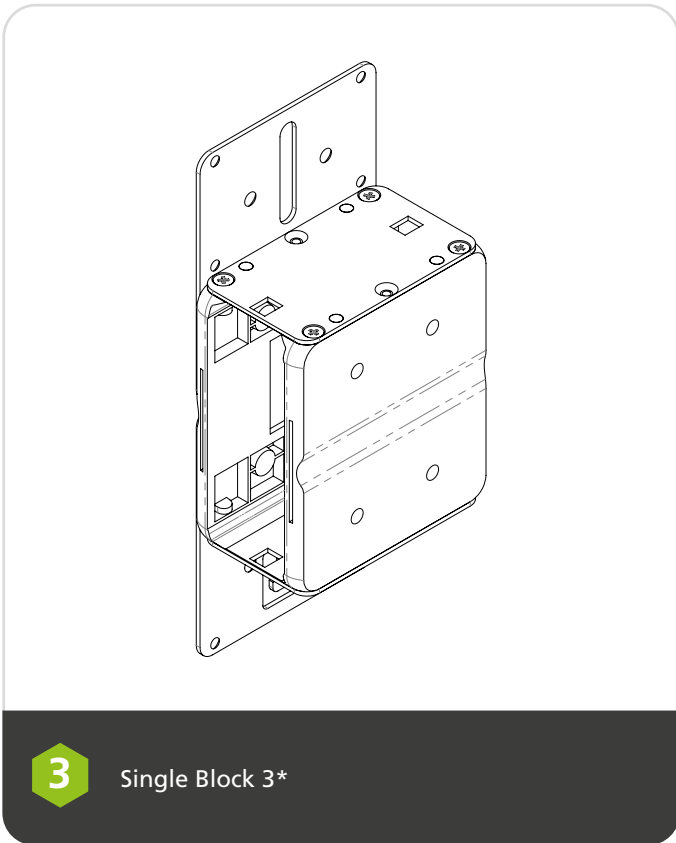
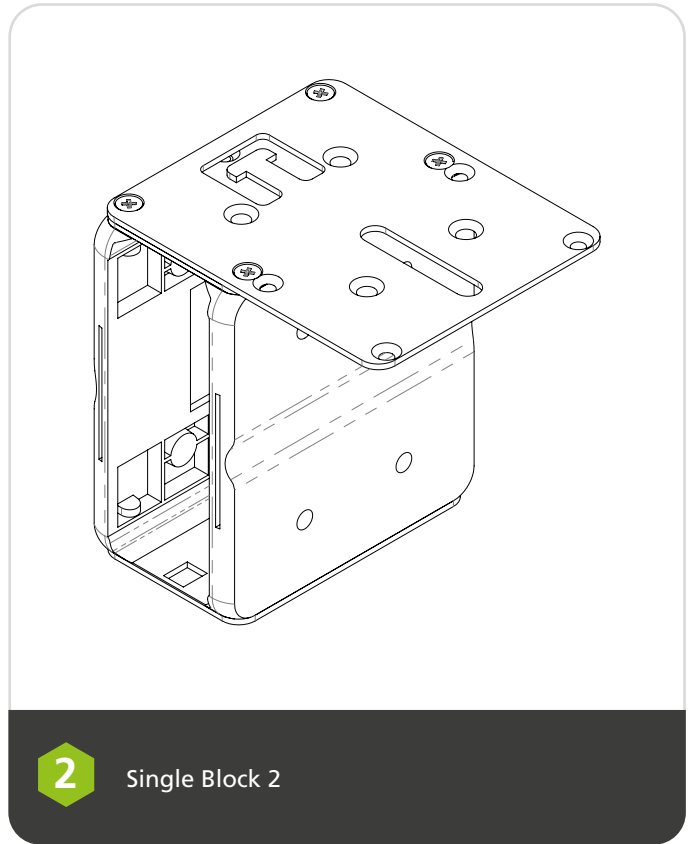
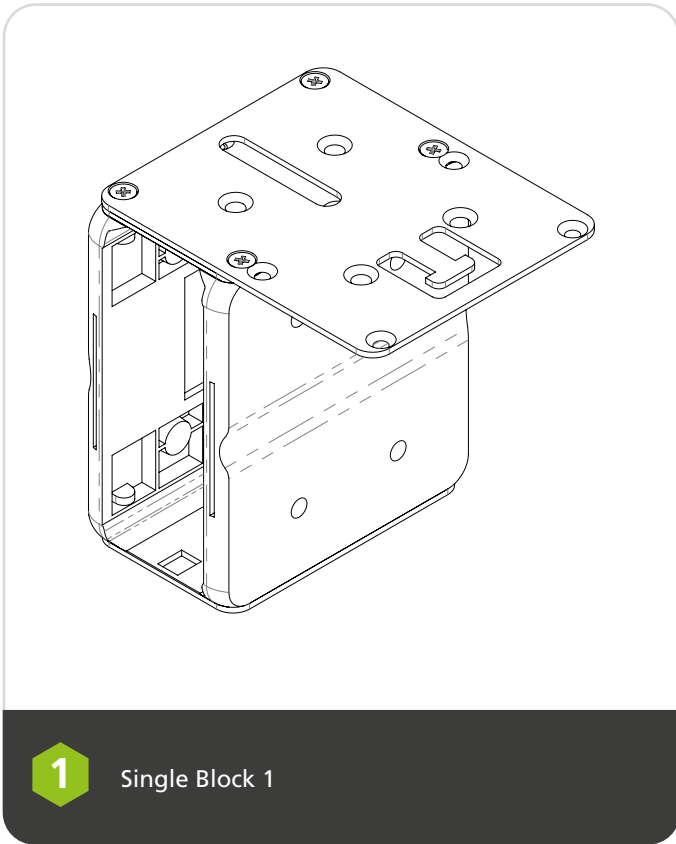


Related Products

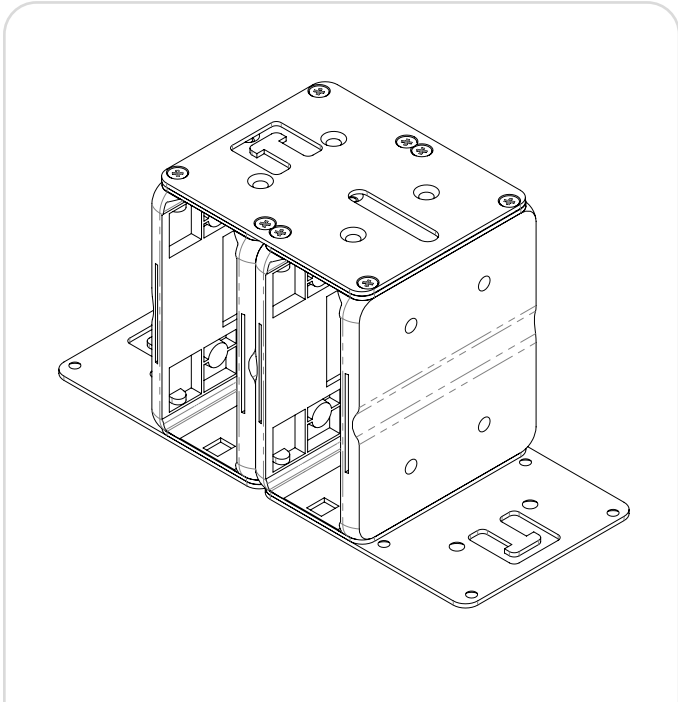


Example Configurations

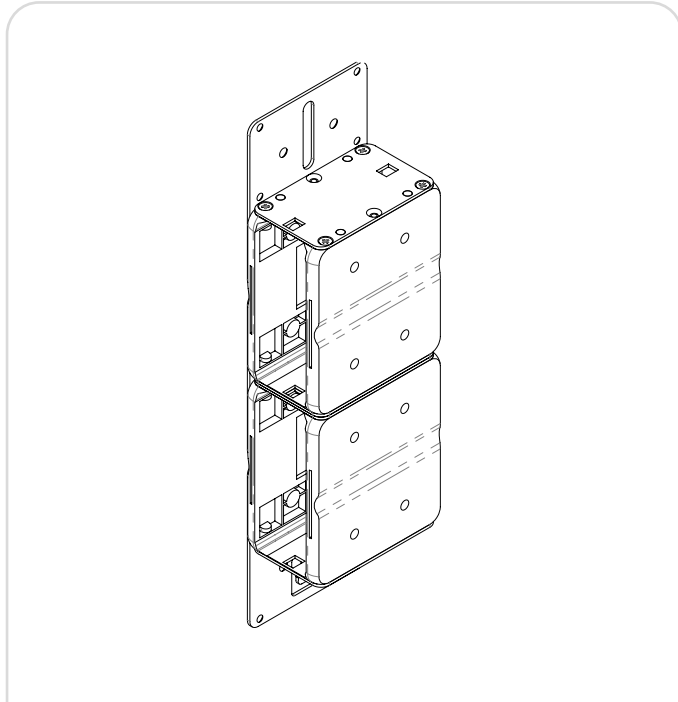
Below are the different cassette configurations achievable with the U-Series ORU Housing. Once a suitable position for the installation has been chosen, screw the mounting plate to the mounting block, and then to the surface.



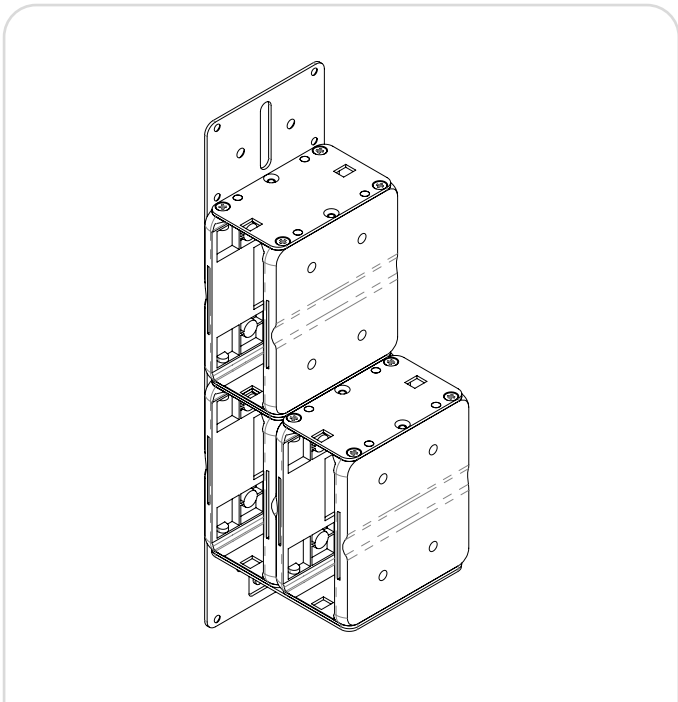
Example Configurations



4 Dual Block 1*



5 Dual Block 2*



6 Triple Block*

*Configuration would require multiple kits

Thank you for choosing AFL Hyperscale

AFL Hyperscale reserves the right to make changes in this Installation Guide at any time without notice



AFL HYPERSCALE.

www.aflhyperscale.com

AFLHS0RUH270820