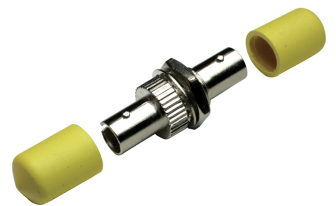


## ST Adapters



Our ST adapters have high precision alignment sleeves for reliability and better reconnectability. ST adapters come with a ceramic sleeve for both singlemode and multimode adapters. The simplex housing is available in double D footprint type.

### FEATURES/BENEFITS

- Complies with IEC 61754-2
- Low insertion loss and high reconnectability capability
- REACH SvHC compliant
- Materials compliant to RoHS2
- Available in simplex or duplex

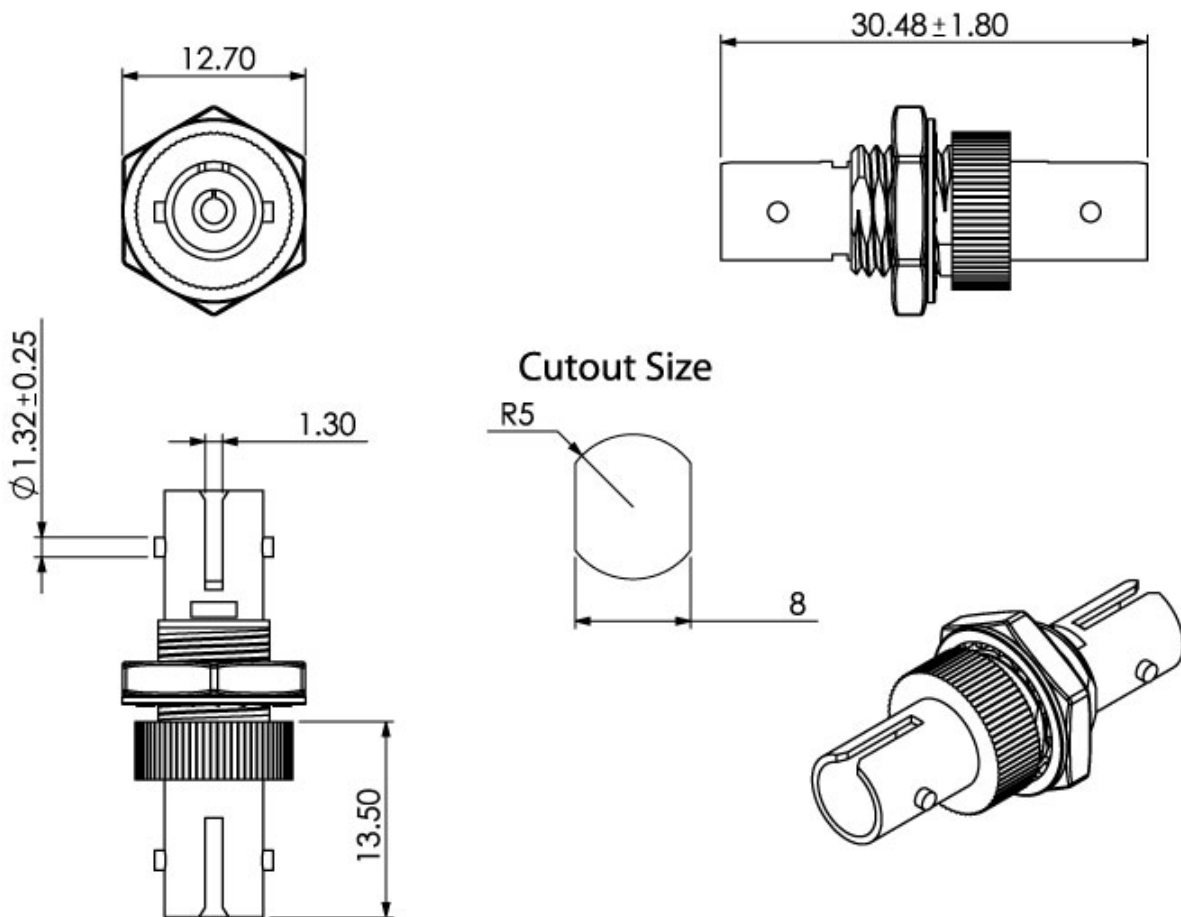
### APPLICATIONS

- Data processing networks
- Premises distribution

SPECIFICATIONS

OPTICAL PERFORMANCE	CERAMIC	CONFORMANCE
Insertion Loss (Typ)	0.1 dB	IEC 61300-3-4
Mating Durability	500	IEC 61300-2-2
Receptacle Retention Force	2 N - 5.9 N	IEC 61754-2
Operating Temperature	-25 to +70 °C, 12 cycles	IEC 61300-2-22

TECHNICAL DRAWING



## ORDERING INFORMATION

MODE	TYPE	MODE	PART NUMBER
SM	PC	SIMPLEX	STUZR02
MM	PC	SIMPLEX	STUMMZ02



SCAN QR FOR PRODUCT PAGE

## FURTHER INFORMATION

- For additional information please contact your sales representative
- To view the product 360 visit the product page (Scan the QR code or visit the link below)
- Downloaded from <https://www.aflhyperscale.com/product/st-adapters>
- AFL Hyperscale reserves the right to make changes in this datasheet at any time without notice
- Information in this document is correct as of February 26, 2019

## Europe

+44 (0) 1908 441 144  
 emeasales@aflhyperscale.com  
 © AFL Hyperscale 2019

## Americas

+1 866 814 8615  
 usasales@aflhyperscale.com

## Middle East &amp; Africa

+971 4 404 9606  
 mesales@aflhyperscale.com

## India

+91 80 46874687  
 indiasales@aflhyperscale.com

## Asia Pacific

+86 755 2561 3694  
 apacsales@aflhyperscale.com