

## Fiber Raceway Adaptor



Fiber raceway system is designed to protect, manage and route fiber optic cable assemblies and patch cords to and from network cabinets, optical distribution frames (ODFs) and other terminal devices within data centers. Fiber raceway system provides the necessary fiber cable management to ensure network reliability by:

- Maintaining proper fiber cable bend radius control at all points
- Providing fiber cable physical protection from external elements
- Enabling easy access to fiber cables
- Providing necessary fiber cable slack management
- Properly defining routing paths throughout the data center

Fiber raceway system offers adapter fittings that attach to any 4"x15", fitting or channel to connect with any 4"x10" fitting or channel, or any 4"x10" to connect to any 4"x5" fitting or channel.

Fiber raceway system also offers adapter fittings that attach to any 4"x5", fitting or channel to connect with Panduit or ADC/Commscope 4"x4" fitting or channel, or 4"x 6" fitting or channel.

All components are environment friendly and high-class plastic, ROHS compliant, and UL94-V0 level of flammability.

### FEATURES/BENEFITS

- Easy and Quick Tool-less assembly
- All plastic parts reach UL94-V0 level of flammability
- RoHS compliant
- Withstanding Voltage: AC500V /DC1000V
- Insulation Resistance  $\geq 20 \text{ M}\Omega$
- Installation Temperature : -25° ~ +60°C

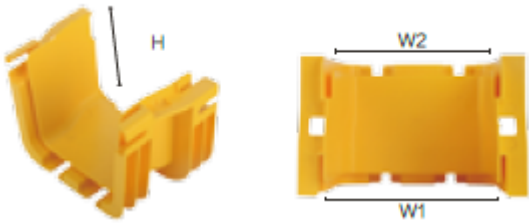
## APPLICATIONS

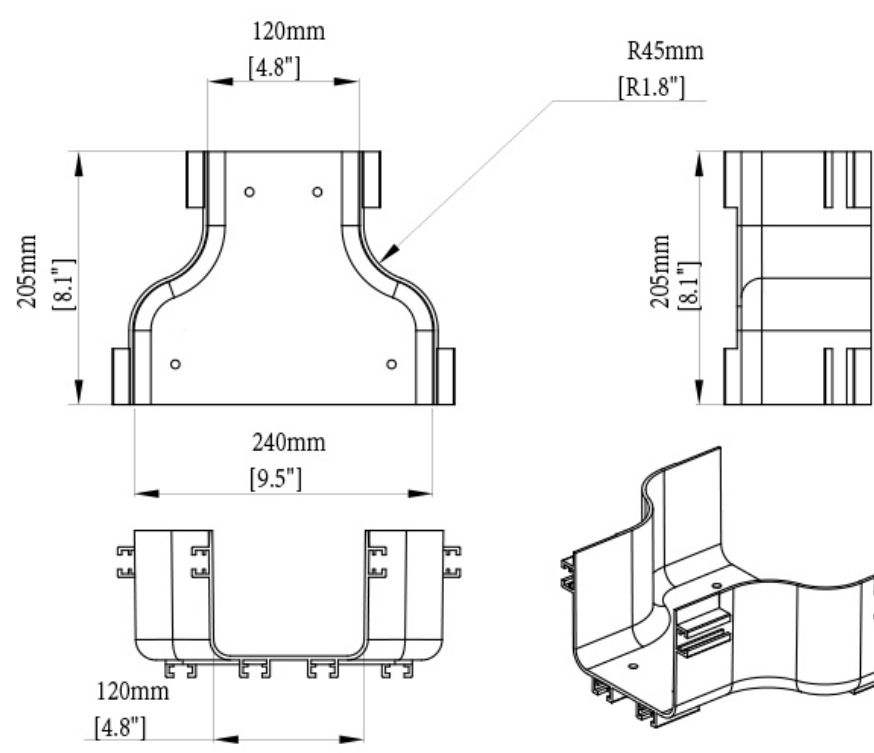
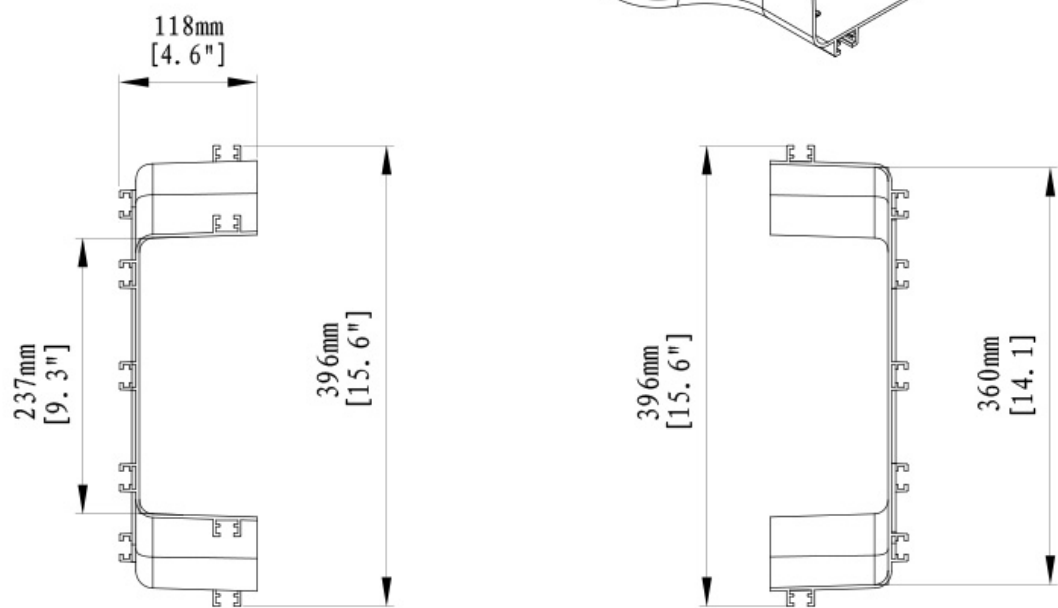
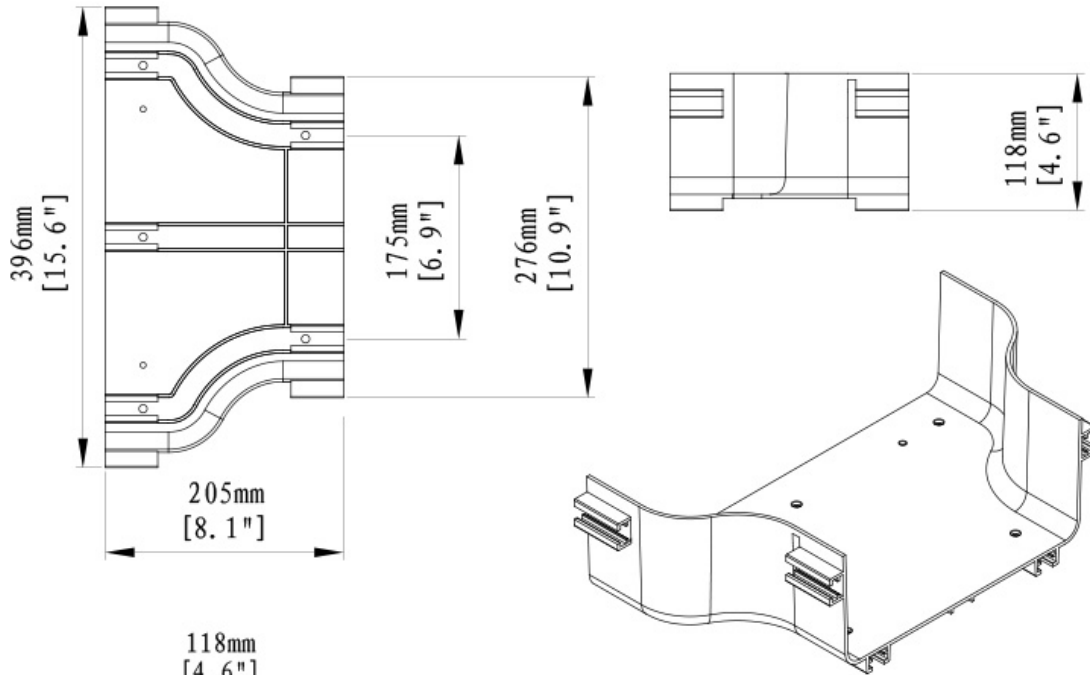
- Data Center
- Service Provider facility

## SPECIFICATIONS

Dimension of Adaptor to connect to Panduit or Commscope/ADC fitting and channel

Product	Width End1(mm)	Width End2(mm)	Height(mm)	Overall(mm)
AFLR1003051/P	120	100	100	166x100x121
AFLR1003061/P	120	150	100	165x101x121
AFLR1003051/G	120	100	100	201x100x121
AFLR1003061/G	120	150	100	199x60x122





## ORDERING INFORMATION

PART NUMBER	PRODUCT DESCRIPTION
AFLR1001021	AFL HS Fibre Raceway Adaptor 360->240 x 100mm PVC with Cover Yellow
AFLR1002031	AFL HS Fibre Raceway Adaptor 240->120 x 100mm PVC with Cover Yellow
AFLR1003051/P	AFL HS Fibre Containment Adaptor 120->100(Panduit) x 100mm PVC Yellow
AFLR1003061/P	AFL HS Fibre Containment Adaptor 120->150(Panduit) x 100mm PVC Yellow
AFLR1003051/G	AFL HS Fibre Containment Adaptor 120->100(Commscope) x 100mm PVC Yellow
AFLR1003061/G	AFL HS Fibre Containment Adaptor 120->150(Commscope) x 100mm PVC Yellow



SCAN QR FOR PRODUCT PAGE

## FURTHER INFORMATION

- For additional information please contact your sales representative
- To view the product 360 visit the product page (Scan the QR code or visit the link below)
- Downloaded from <https://www.aflhyperscale.com/product/adapter-plastic-fiber-routing-tray>
- AFL Hyperscale reserves the right to make changes in this datasheet at any time without notice
- Information in this document is correct as of January 08, 2020

## Europe

+44 (0) 1908 441 144  
emeasales@aflhyperscale.com  
© AFL Hyperscale 2020

## Americas

+1 866 814 8615  
usasales@aflhyperscale.com

## Middle East &amp; Africa

+971 4 404 9606  
mesales@aflhyperscale.com

## India

+91 80 46874687  
indiasales@aflhyperscale.com

## Asia Pacific

+86 755 2561 3694  
apacsales@aflhyperscale.com